

8 7 6 5 4 3 2 1

F

F

E

E

D

D

C

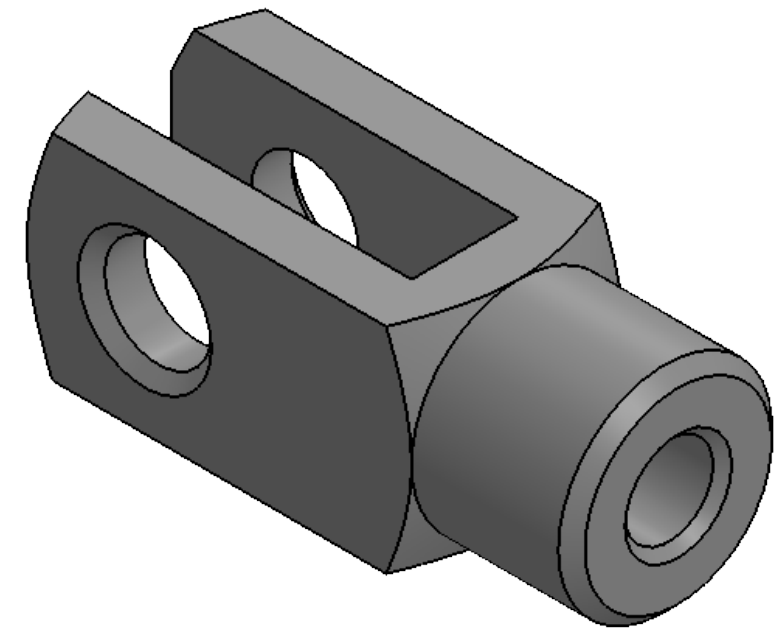
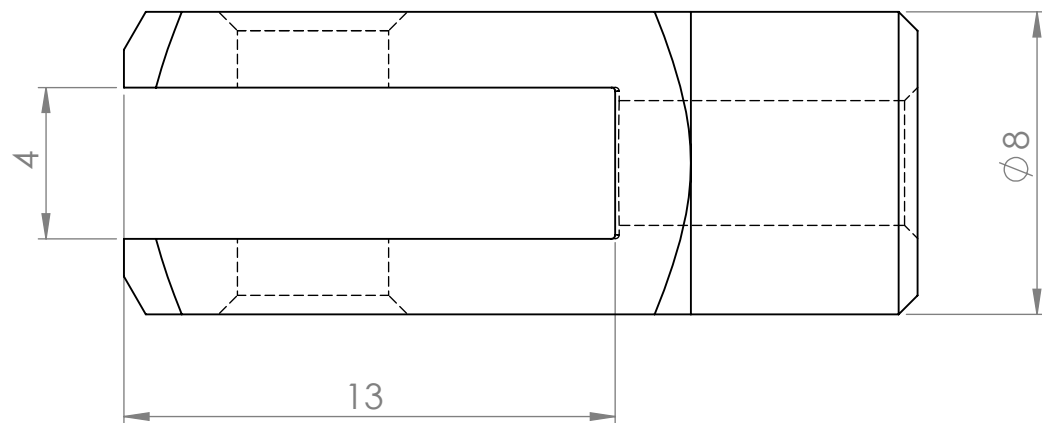
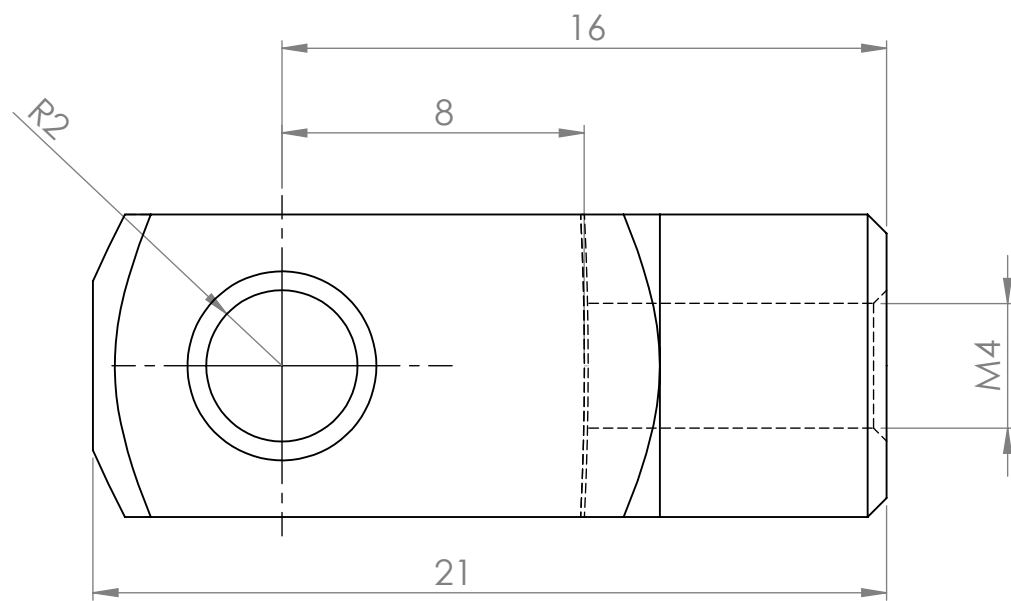
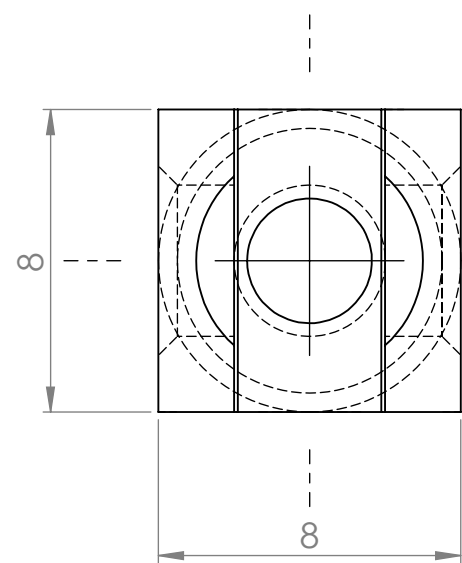
C

B

B

A

A



WWW.GASVEREN.NL

☎ Netherlands: +31 (0) 541 682186
 ☎ Germany: +49 (0) 322 21090223
 ☎ Poland: +48 (0) 6 8888 1005

✉ info@springmasters.nl
 ✉ info@gasfedem.eu
 ✉ info@sprezynygazowe.pl

TITLE: 11.M4L16T4G4

DO NOT SCALE DRAWING

DWG NO.
SCALE:5:1

REVISION
SHEET 1 OF 1

A3

8 7 6 5 4 3 2 1