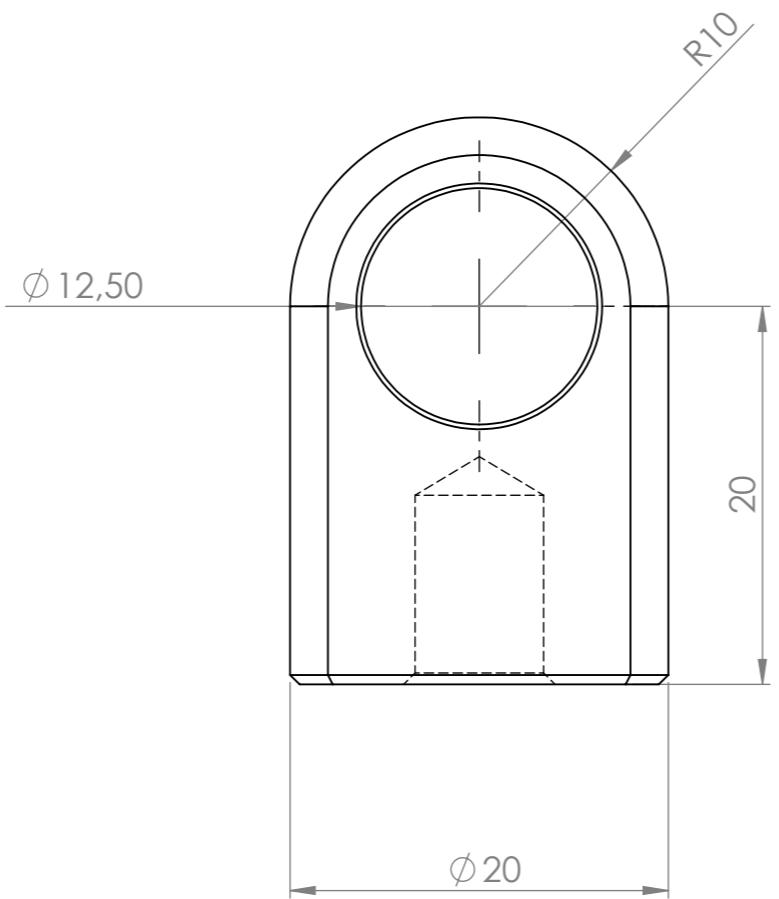
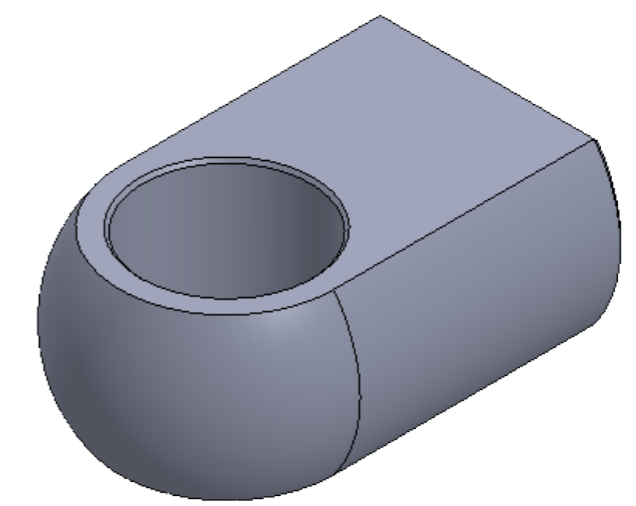
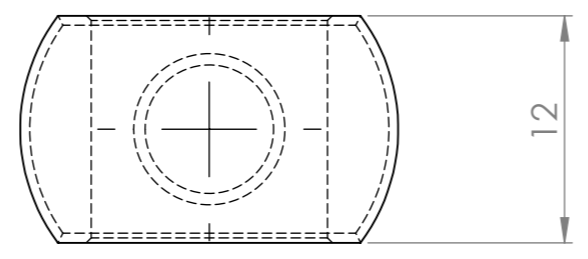
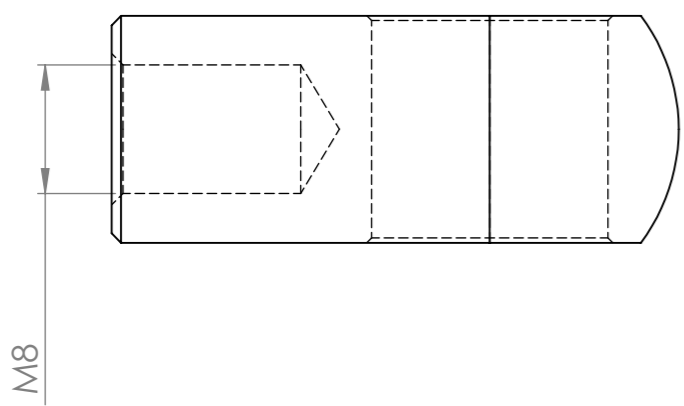


8 7 6 5 4 3 2 1

F F



D D

C C

B B

A A



Netherlands: +31 (0) 541 682186 info@springmasters.nl
 Germany: +49 (0) 322 21090223 info@gasdruckfedern.eu
 Poland: +48 (0) 61 8800895 info@sprezynygazowe.pl

TITLE: 18.08A1L20G12.5

| | | | |
|----------------------|-----------|--------------|----|
| DO NOT SCALE DRAWING | DWG NO. | REVISION | A3 |
| | SCALE:2:1 | SHEET 1 OF 1 | |