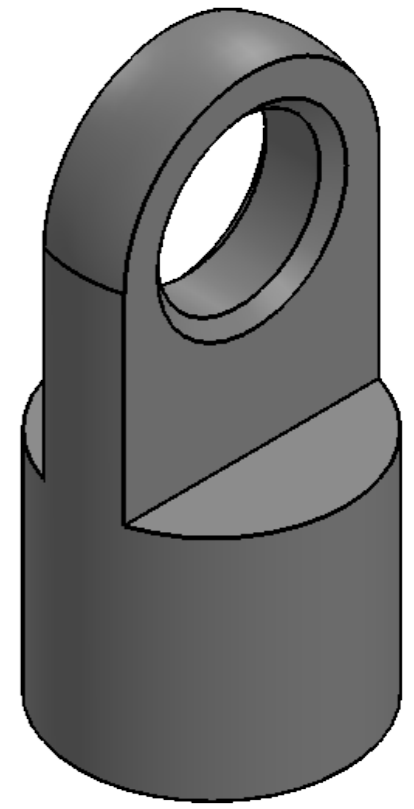
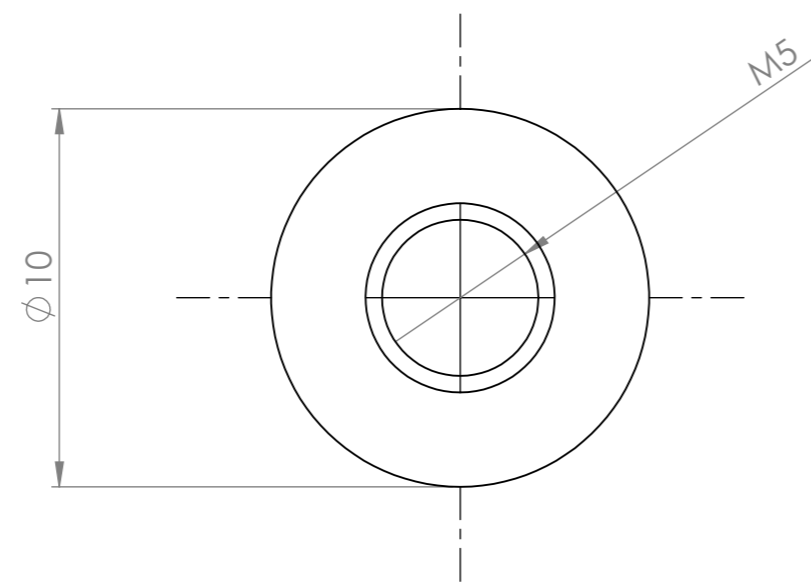
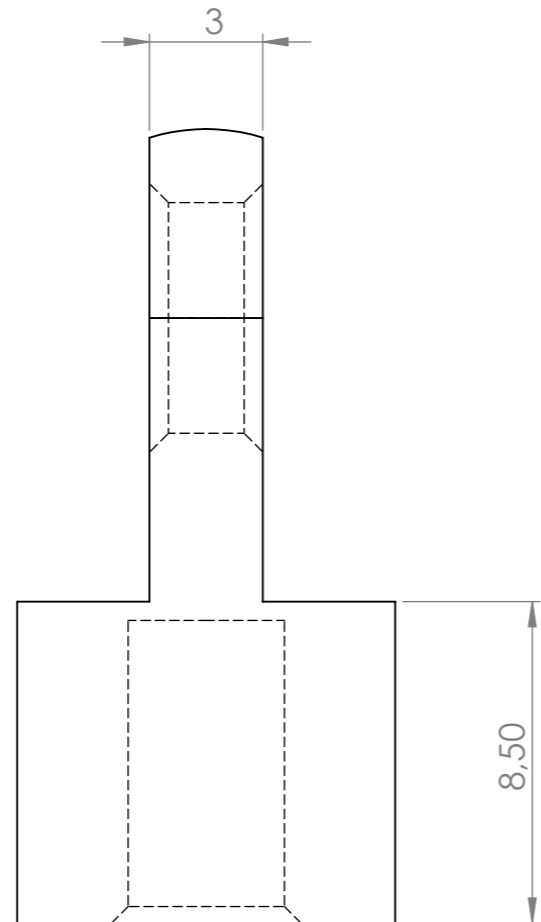
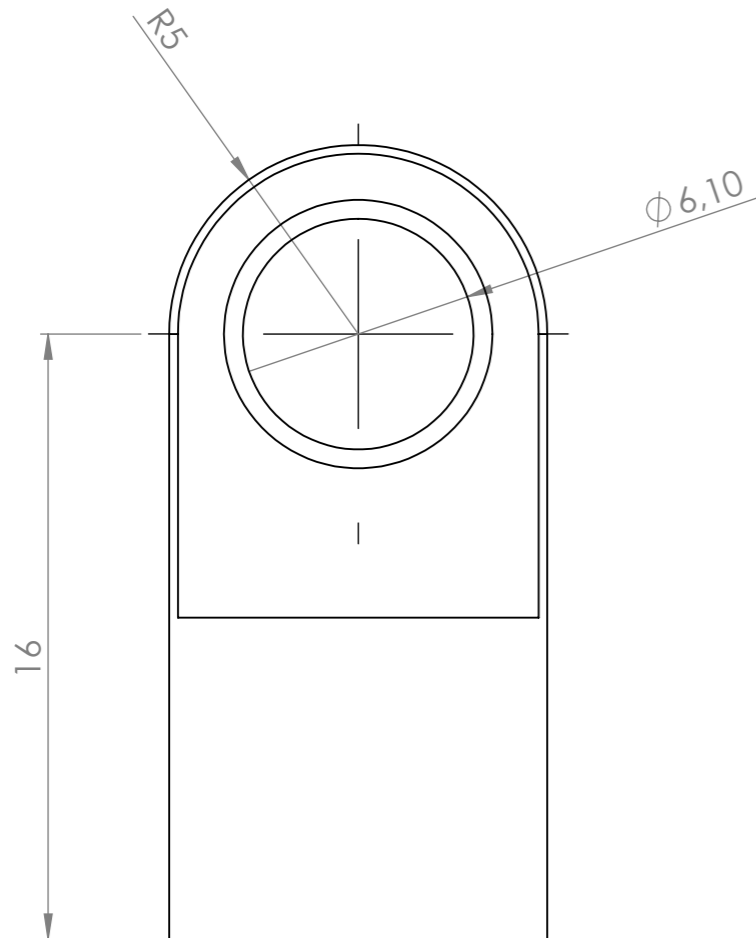


8 7 6 5 4 3 2 1

F
E
D
C
B
A



F
E
D
C
B
A



Netherlands: +31 (0) 541 682186
 Germany: +49 (0) 322 21090223
 Poland: +48 (0) 61 8800895

info@springmasters.nl
 info@gasdruckfedern.eu
 info@spрызnygazowe.pl

TITLE: 18.05A1SW3

DWG NO.	REVISION	A3
SCALE:5:1	SHEET 1 OF 1	

DO NOT SCALE DRAWING

8 7 6 5 4 3 2 1