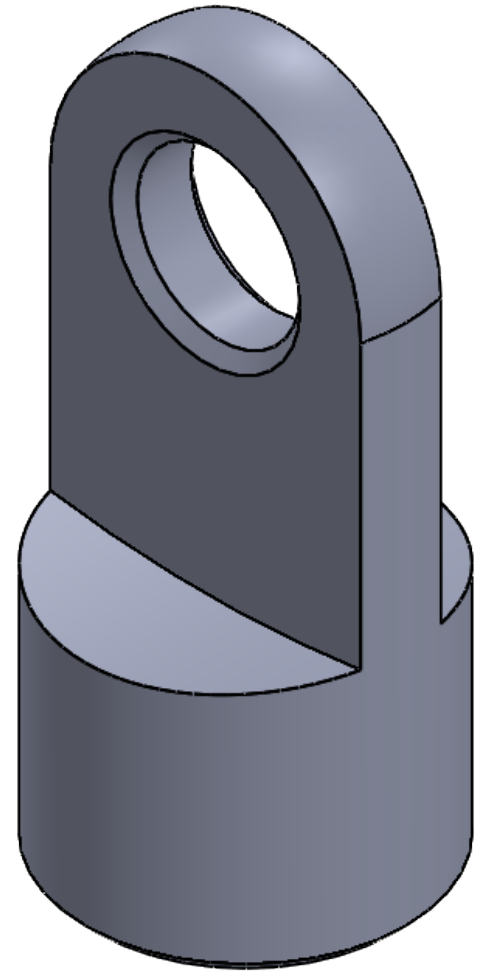
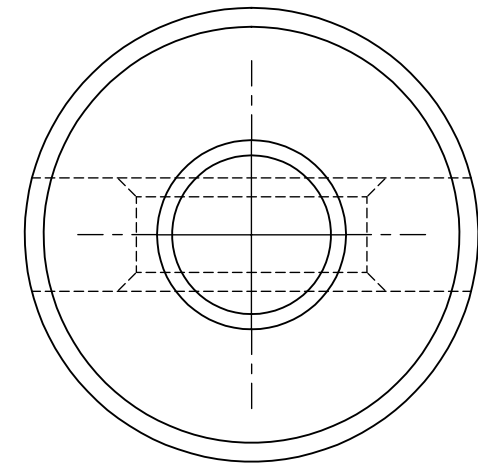
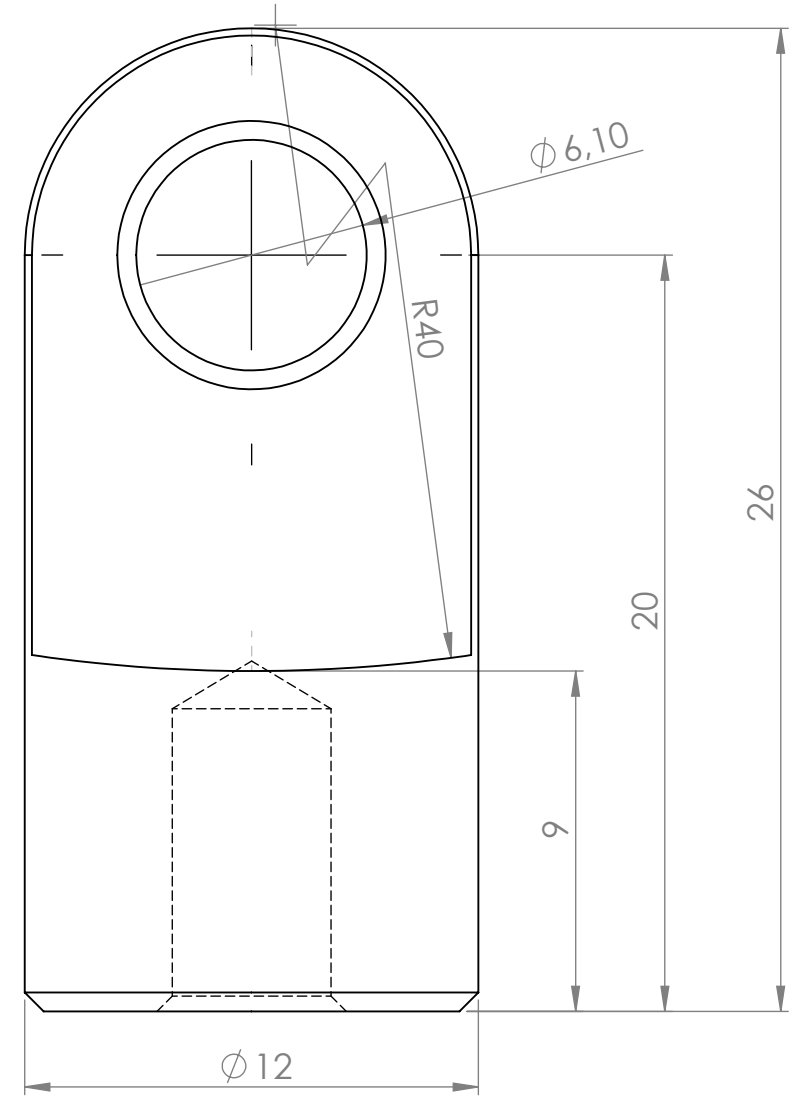
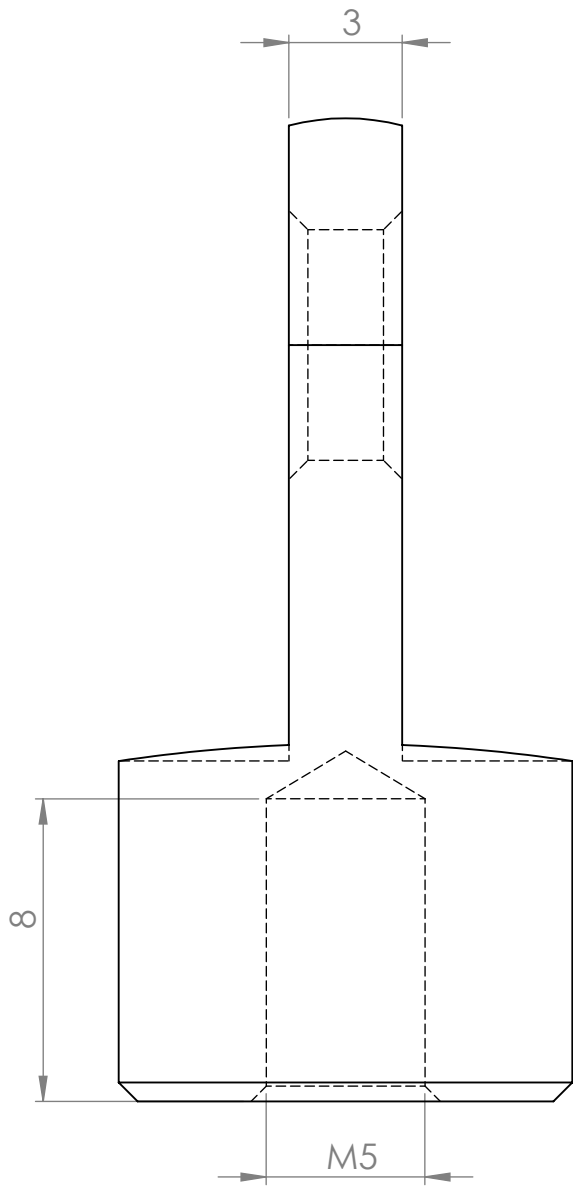


8 7 6 5 4 3 2 1

F  
E  
D  
C  
B  
A



F  
E  
D  
C  
B  
A



☎ Netherlands: +31 (0) 541 682186  
 ☎ Germany+49 (0) 322 21090223  
 ☎ Poland: +48 (0) 61 8800895  
 ✉ info@springmasters.nl  
 ✉ info@gasdruckfedern.eu  
 ✉ info@sprezynygazowe.pl

TITLE: 18.05A1L20

DWG NO.  
SCALE:2:1

REVISION  
SHEET 1 OF 1

A3

DO NOT SCALE DRAWING

8 7 6 5 4 3 2 1