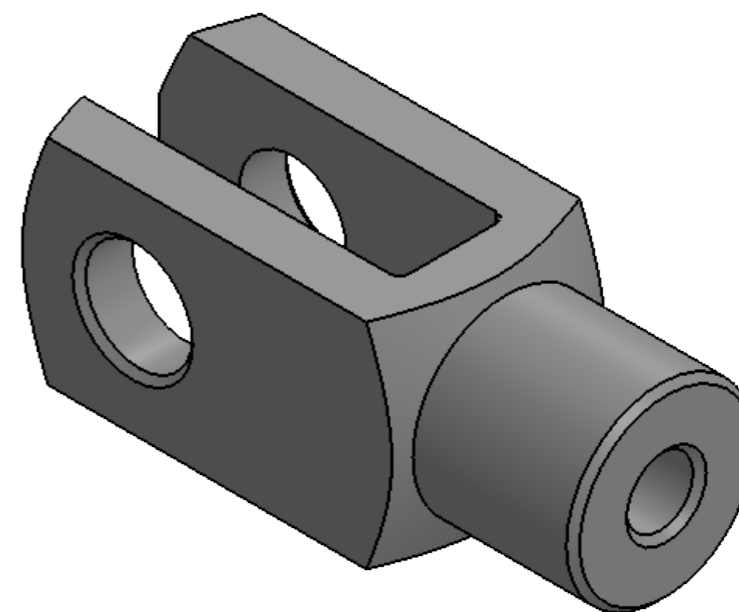
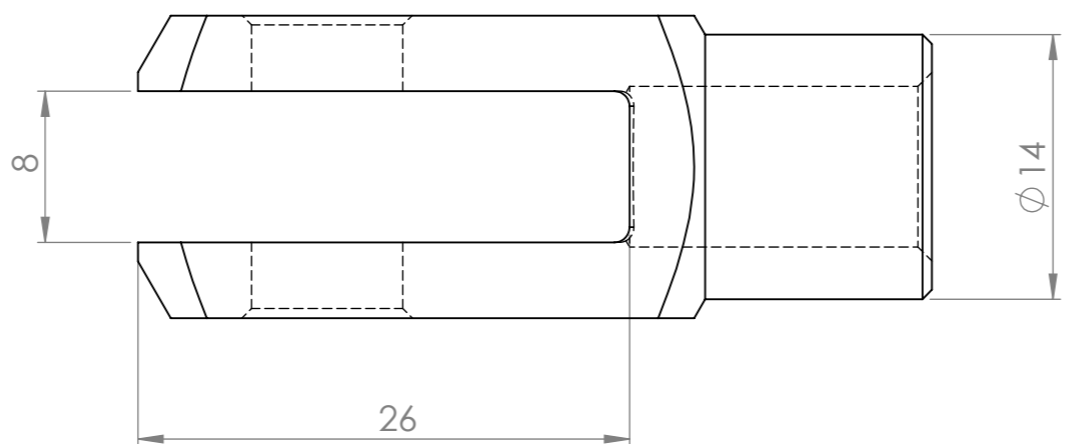
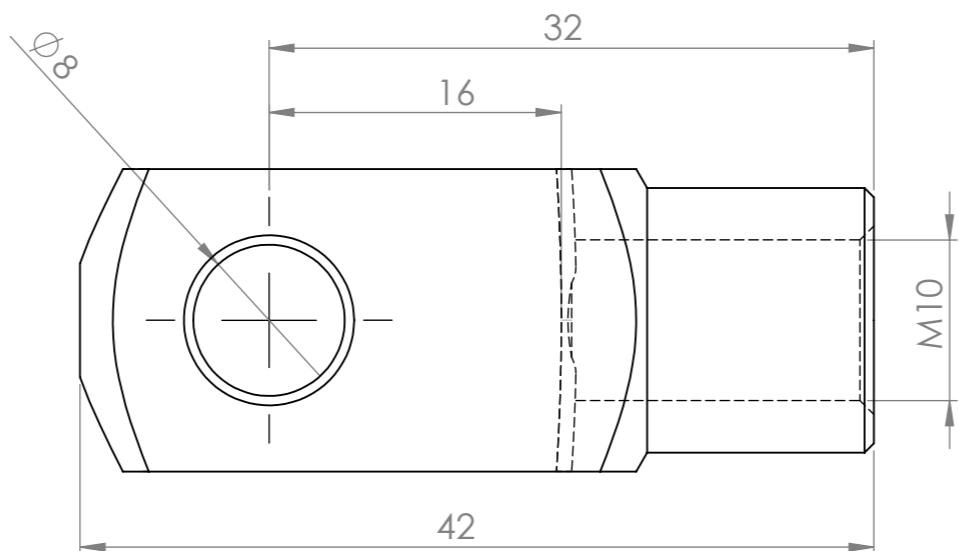
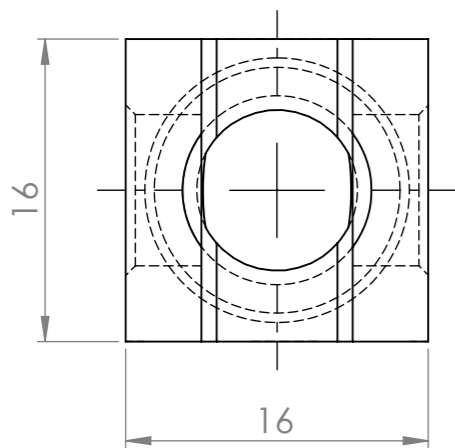


8 7 6 5 4 3 2 1

F
E
D
C
B
A

F
E
D
C
B
A



Netherlands: +31 (0) 541 682186
 Germany: +49 (0) 322 21090223
 Poland: +48 (0) 61 8800895

info@springmasters.nl
 info@gasdruckfedern.eu
 info@sprezynygazowe.pl

TITLE: 11.G816M10

DO NOT SCALE DRAWING

DWG NO.
SCALE:2:1

REVISION
SHEET 1 OF 1

A3

8 7 6 5 4 3 2 1