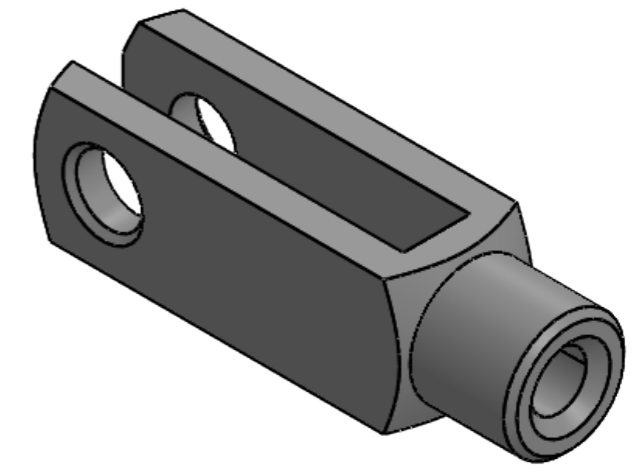
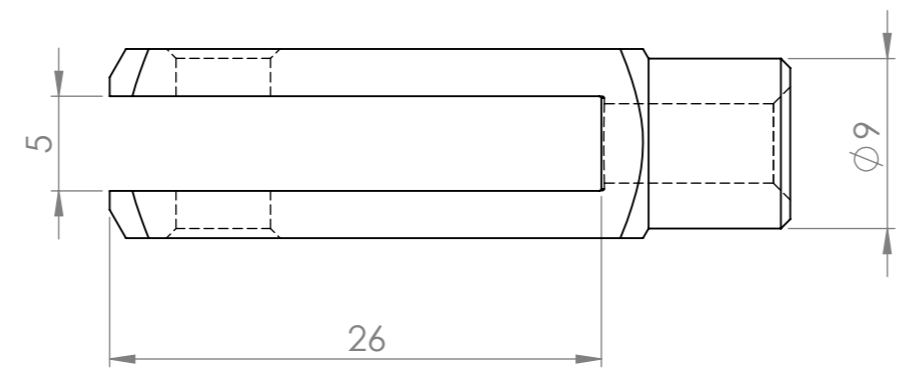
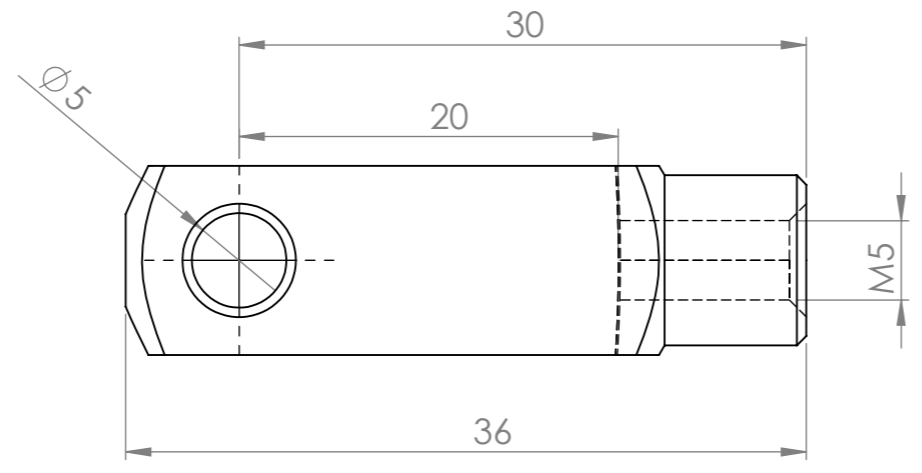
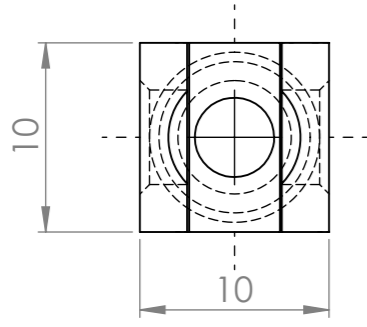


8 7 6 5 4 3 2 1

F
E
D
C
B
A



F
E
D
C
B
A



☎ Netherlands: +31 (0) 541 682186
 ☎ Germany: +49 (0) 322 21090223
 ☎ Poland: +48 (0) 61 8800895
 ✉ info@springmasters.nl
 ✉ info@gasdruckfedern.eu
 ✉ info@sprezynygazowe.pl

TITLE: 11.G520

| | | | |
|----------------------|-----------|--------------|----|
| DO NOT SCALE DRAWING | DWG NO. | REVISION | A3 |
| | SCALE:2:1 | SHEET 1 OF 1 | |

8 7 6 5 4 3 2 1