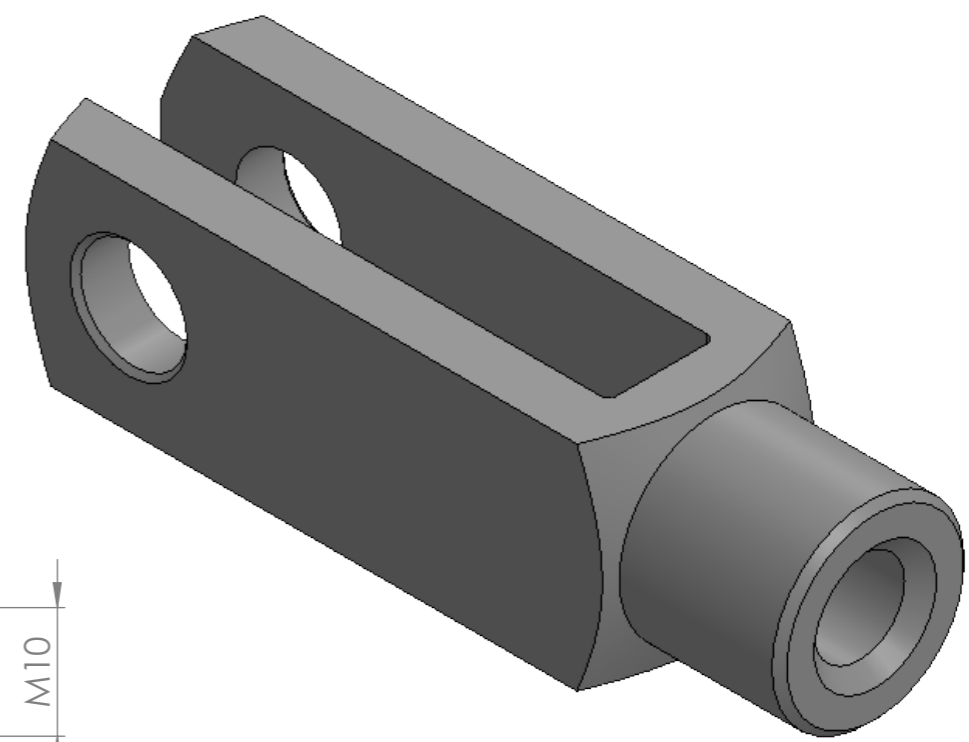
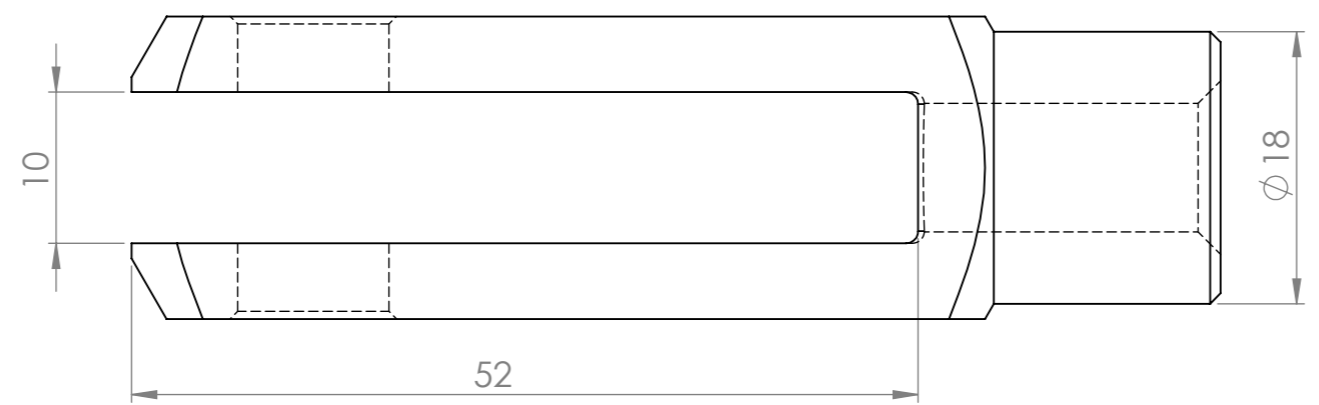
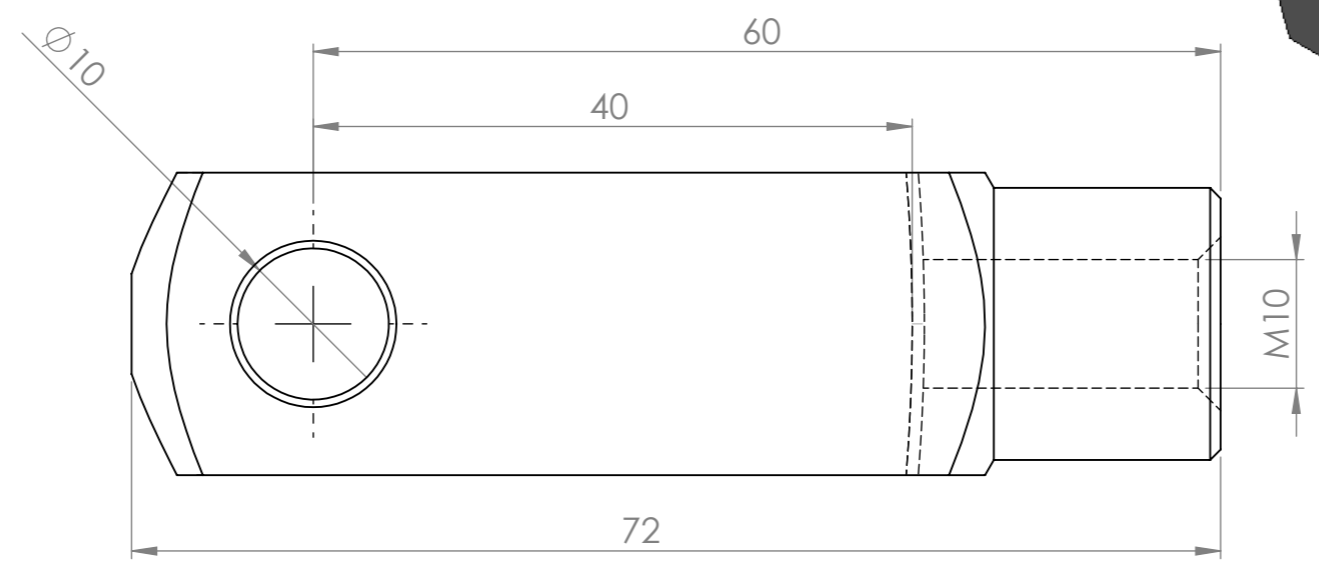
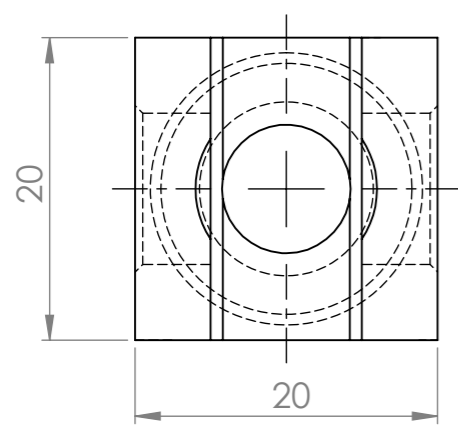


8 7 6 5 4 3 2 1

F  
E  
D  
C  
B  
A



F  
E  
D  
C  
B  
A



Netherlands: +31 (0) 541 682186  
 Germany: +49 (0) 322 21090223  
 Poland: +48 (0) 61 8800895

info@springmasters.nl  
 info@gasdruckfedern.eu  
 info@spрызnygazowe.pl

TITLE: 11.G1040

DWG NO.	REVISION	A3
SCALE:2:1	SHEET 1 OF 1	

DO NOT SCALE DRAWING

8 7 6 5 4 3 2 1